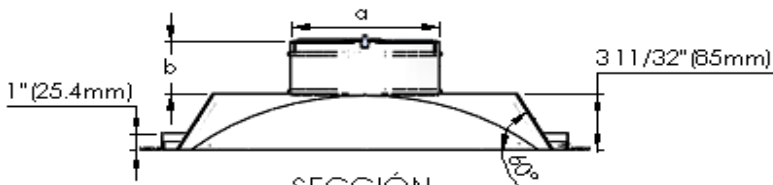
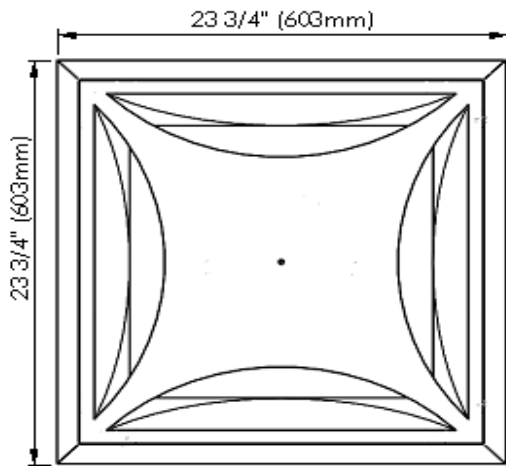


**CEILING DIFFUSERS
SERIES L-TD TOTAL DIFFUSER 24X24 (TB) LAY IN**



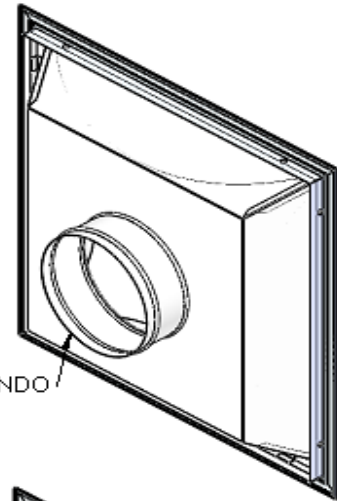
SECCIÓN



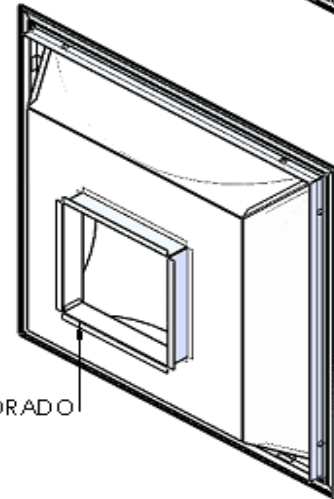
Dámper Radial
(opcional)



CUELLO REDONDO



CUELLO CUADRADO



MN	CUELLO REDONDO	
(in)	a (in)	b (in)
6	5 7/8	1
8	7 7/8	
10	9 7/8	1 1/2
12	11 7/8	
14	13 7/8	

MN	CUELLO CUADRADO	
(in)	a (in)	b (in)
6	5 7/8 x 5 7/8	1 1/2
8	7 7/8 x 7 7/8	
10	9 7/8 x 9 7/8	
12	11 7/8 x 11 7/8	
14	13 7/8 x 13 7/8	



L-TD

SERIES L-TD TOTAL DIFFUSER 24X24 (TB) LAY IN

ROUND INLET / TOTAL DIFFUSER

CEILING DIFFUSERS

24" x 24" Module Size	Intel Size	Neck Velocity (fpm)	200	300	400	500	600	700	800	900	1000	1100
		Velocity Pressure	0,002	0,006	0,01	0,016	0,023	0,03	0,04	0,051	0,063	0,076
6" Dia.	Airflow, cfm	39	59	78	98	118	137	157	177	196	216	
	Total Pressure	0,004	0,010	0,015	0,027	0,039	0,053	0,069	0,088	0,108	0,131	
	NC (Noise Criteria)	-	-	-	-	-	14	19	22	26	29	
	Throw	1-1-3	1-2-3	2-3-5	3-4-8	3-5-9	4-6-9	4-7-10	5-8-11	6-8-11	6-8-12	
8" Dia.	Airflow, cfm	70	105	140	175	209	244	279	314	349	384	
	Total Pressure	0,007	0,016	0,029	0,043	0,062	0,085	0,111	0,140	0,173	0,209	
	NC (Noise Criteria)	-	-	-	-	12	17	22	25	29	32	
	Throw	1-1-4	1-3-7	2-4-9	3-6-11	4-7-12	5-8-13	6-9-13	7-10-14	7-11-15	8-11-16	
10" Dia.	Airflow, cfm	109	164	218	273	327	382	436	491	545	600	
	Total Pressure	0,008	0,017	0,031	0,048	0,070	0,095	0,124	0,157	0,193	0,234	
	NC (Noise Criteria)	-	-	-	-	15	20	24	28	31	34	
	Throw	1-2-6	2-3-8	3-5-10	4-7-13	6-8-14	7-10-16	7-11-17	8-13-18	9-14-19	10-14-20	
12" Dia.	Airflow, cfm	157	236	316	393	470	550	630	710	785	865	
	Total Pressure	0,014	0,032	0,057	0,089	0,128	0,175	0,230	0,290	0,357	0,433	
	NC (Noise Criteria)	-	-	-	11	17	21	26	29	33	36	
	Throw	1-2-7	2-4-10	3-6-13	5-8-16	7-10-17	8-12-19	9-13-20	10-15-21	11-16-22	12-17-24	
14" Dia.	Airflow, cfm	214	321	427	535	641	748	855	962	1070	1175	
	Total Pressure	0,019	0,043	0,076	0,119	0,172	0,234	0,305	0,386	0,477	0,576	
	NC (Noise Criteria)	-	-	-	12	18	23	27	31	34	37	
	Throw	1-2-8	2-5-12	4-7-16	6-10-19	8-12-20	9-14-22	10-16-23	12-18-25	13-19-26	14-19-27	